

# TP HDRY / TP HDRY MK

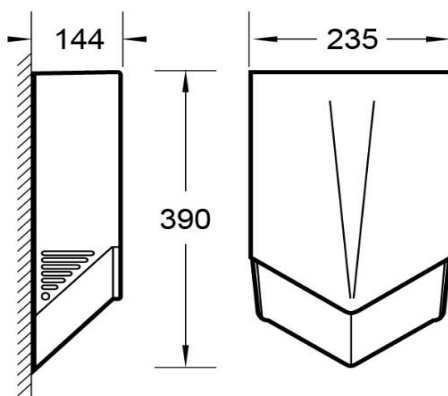
TP HDRY



TP HDRY MK



## SPECIFICATIONS



Automatic Hand Dryer with Intelligent Induction and two-way wind  
LED Indicator and Infrared Sensor Switch

Voltage - 220-240V

Rated Power - 1500W

Frequency - 50/60Hz

Induction Distance -12+/-3cm

Noise Rating - 80DB

Dry Hand Time - 7-10 Sec

**WARRANTY INFORMATION:**

12 Months Replacement Parts or Product

All products have a full 1 year in house labour warranty from date of purchase

**ZENMO**  
Zen-inspired, Modern Living

**ADDRESS:** 42 Castro Way, Derrimut VIC 3026

**PHONE:** (03) 8390 6300

**OFFICE:** [ect\\_sales@outlook.com](mailto:ect_sales@outlook.com)

**SERVICE:** [ect\\_service@outlook.com](mailto:ect_service@outlook.com)

**WEBSITE:** [www.zenmo.com.au](http://www.zenmo.com.au)